

### Delphi Powertrain Cooling Modules

Based on the "single-part" concept, the Delphi Powertrain Cooling Module cools the air conditioning condenser, engine, and automatic transmission oil or engine oil for many car and truck applications.

The module consists of:

- Fan-motor-shroud assembly
- Radiator (in-tank engine and transmission oil cooling available)
- Charge air cooler
- Condenser

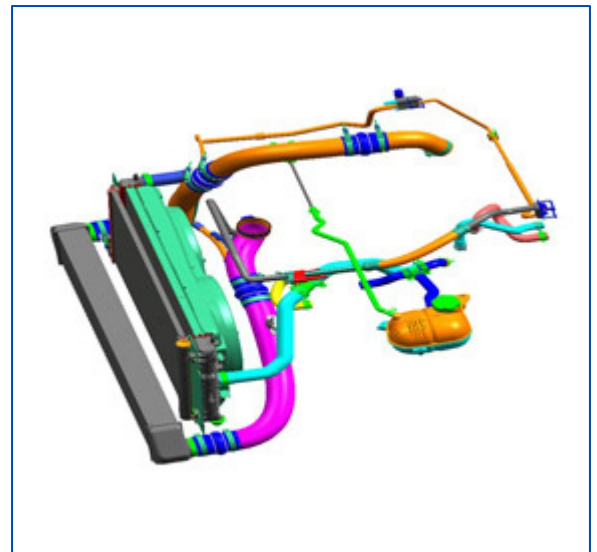
Molded attachments on the radiator's plastic tank provide structural support for the condenser, fan, and shroud. Rubber mounts create a single interface between the cooling module and the radiator.

#### ► Benefits

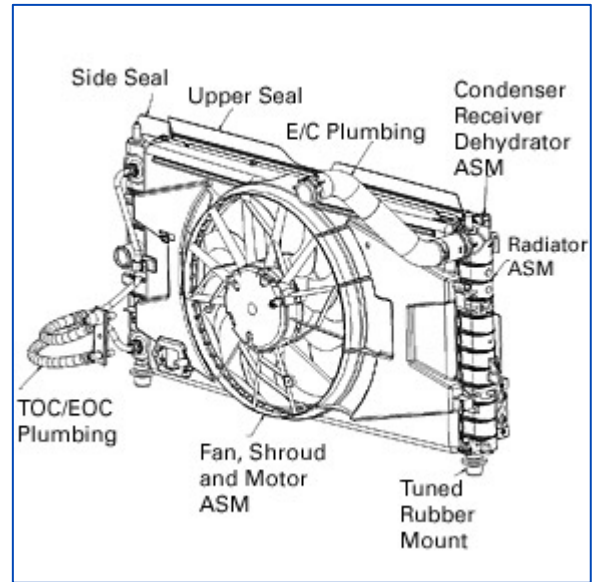
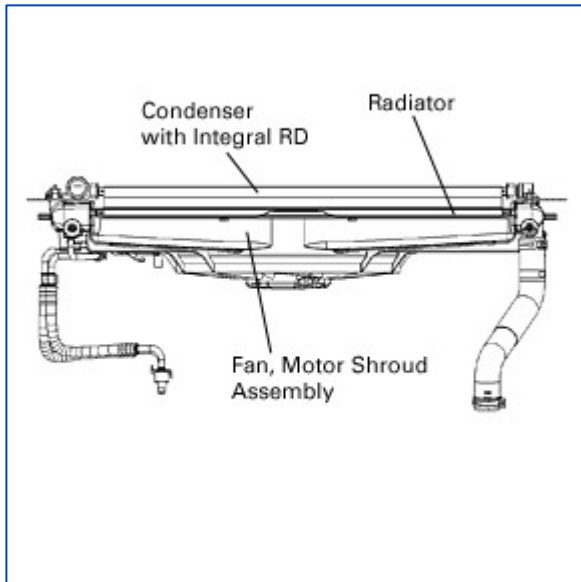
- "Single part," compact assembly for improved packaging and efficient assembly
- Multiple core sizes and fin spacings meet various performance requirements
- Customized inlet/outlet configurations provide packaging flexibility
- Tuned rubber mounts dampen engine idle shake or isolate engine cooling vibrations
- Integrated sealing reduces air bypass
- Quick-connect oil cooler fittings for easier and faster installation of oil cooler lines
- Pre-attached TOC, EOC, E/C, and A/C plumbing result in fewer parts and reduced assembly labor



**Condenser Radiator Fan Module Assembly with Charge Air Cooler, Pusher and Puller Fans**



**Complete Representative Powertrain Cooling System**



Typical assemblies shown. Designs are tailored to customer requirements.